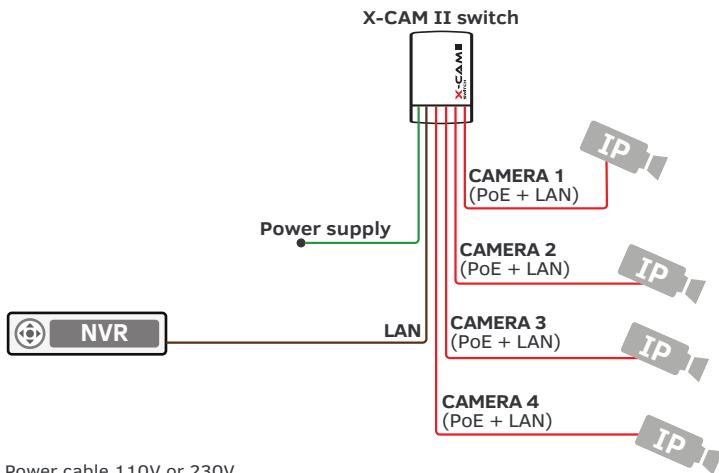


Application Example 1

X-CAM II switch powers 4 IP and send the signal from 10 IP cameras to NVR.



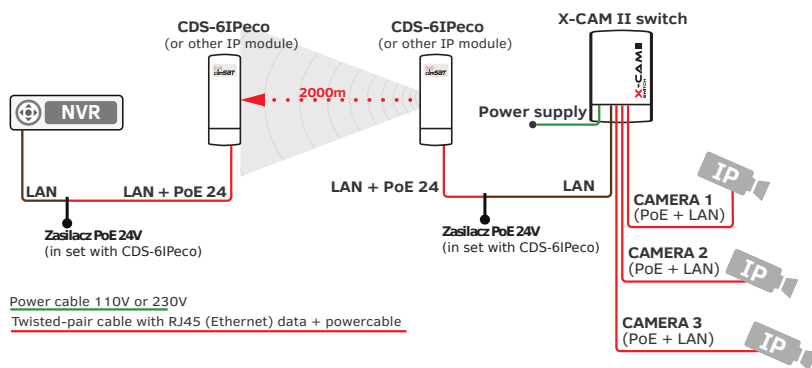
Power cable 110V or 230V

Twisted-pair cable with RJ45 (Ethernet) data cable

Twisted-pair cable with RJ45 (Ethernet) data + power cable

Application Example 2

X-CAM II transmits the signal from 3 IP cameras. CDS-6IPeco sends a radio signal to the receiver.



Power cable 110V or 230V

Twisted-pair cable with RJ45 (Ethernet) data + power cable



X-CAM II SWITCH

QUICK START

Ver. 1.4

External hermetic network PoE switch for IP cameras powered by 110-230V AC

X-CAM II switch4L

X-CAM II switch4F

1. Specifications

X-CAM II Switch is an external PoE + IEEE802.3at and IEEE802.3af IP camera switch. They work even with large PTZ cameras with IR (power at each port is as much as 30W). The X-CAM II switch has an IP65 weatherproof enclosure and a wide range of operating temperatures allow it to be used in almost any climate. A very convenient and installation time saving function is possibility to power the device directly from the network 100V-230V AC.

Models available:

X-CAM II switch4L - 4 x PoE+LAN, 1x LAN (max 4x30 W).

X-CAM II switch4F - 4 x PoE+LAN, 1x Fiber SC TX1550, RX1310 (max 4x30 W).

Product Specification

Ethernet Ports with PoE	4x LAN z PoE
PoE standard	802.3at oraz 802.3af
UpLink Port	1x LAN or 1x SC Fiber TX1550 RX1310
Maximum IP Camera Power	30W each
Cable lengths	according to 802.3af and at standard
Housing	IP65
Temperature	-20°C ÷ 55°C
Weight	1,2 kg

